

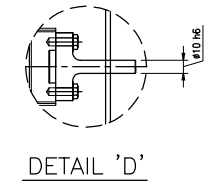
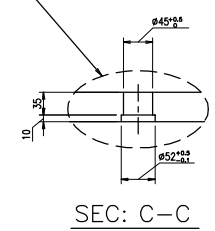
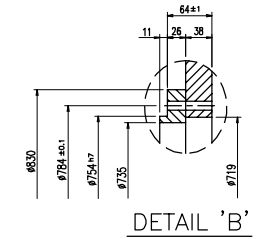
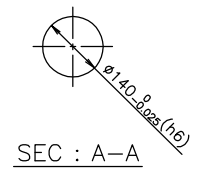
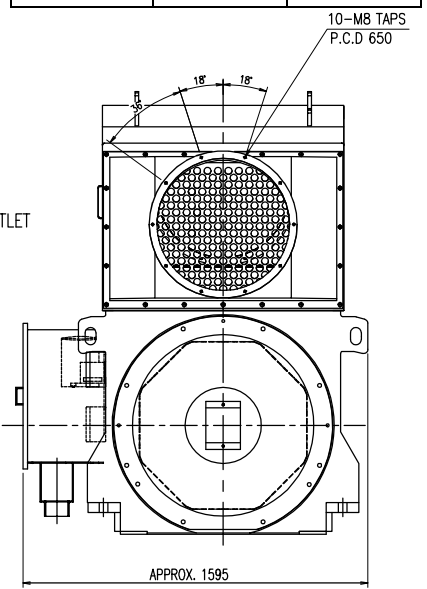
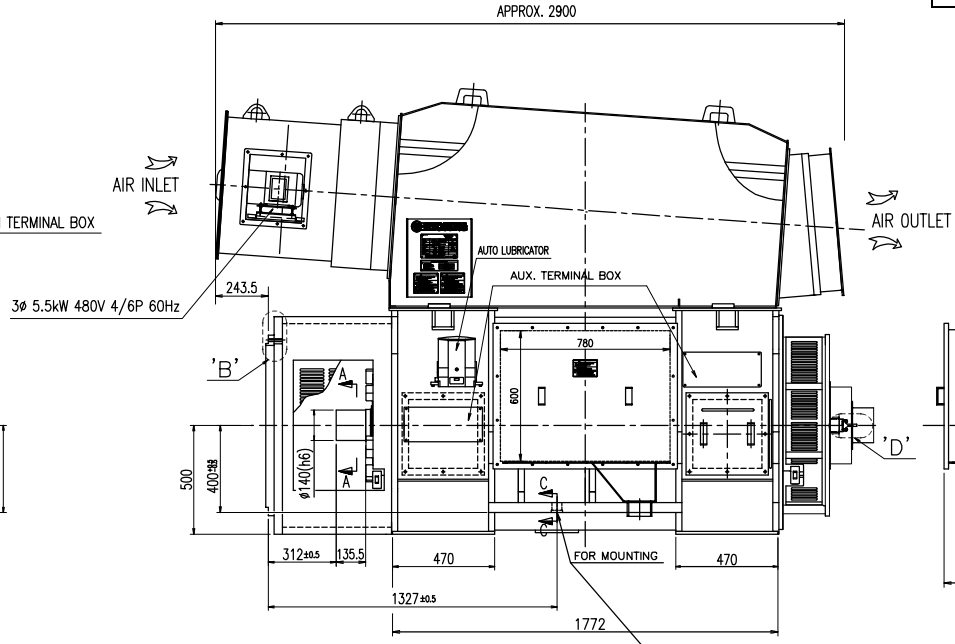
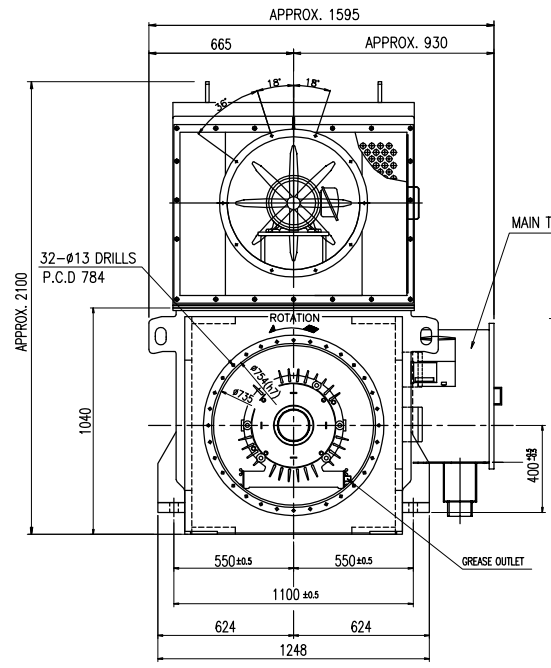
* ELECTRICAL EXCITED SYNCHRONOUS GENERATOR

TYPE	OUTPUT	POLE	VOLT.	FREQ.	PROT.	r/min	INSUL. CLASS	MOUNTING	BEARING		TOTAL WEIGHT (APPROX.)
									D.E SIDE	N-D.E SIDE	
EESG	2000kW	4P	4160V	60Hz	IP44	1800	F	B3	#6330MC3	#6330MC3	7500 kg

- ** WINDING TEMPERATURE DETECTOR
- Number And Type : 6EA/Generator & Pt 100 Ohm at 0°C
- ** BEARING TEMPERATURE DETECTOR :
- Number And Type : 4EA/Generator & Pt 100 Ohm at 0°C
- ** SPACE HEATER(Operating) : 270V, 600W
- ** AUTO LUBRICATOR : LINCOLN QLS 301

DeWind doc. no.: 505545-01 cap.01

DeWind	Article no.: 505545-01 Cap. 01	
Checked	17.11.2011	J. Fernolendt
Released	17.11.2011	W. Köhne



TYPE AC GENERATOR EESG, 4P, Fr.500					DWG. NAME: OUTLINE DIMENSIONS				
DRAWN	DESIGN	CHECKED	REVIEWED	APPROVED	SCALE	1/17	DATE	2011-05-30	
S.B.W	O.Y.J	L.S.M	B.C.J	REF. DWG. NO.	UNIT mm				
HYOSUNG					DWG. NO. DGHK10045				

REVISION